

**Valves / Plumbing Equipment / Radiator Union****CONSTRUCTIVE PROPERTIES**

	STANDARD	OPTIONAL
Case	Brass Sand Blasted	-
Installation Connection	G 3/4"	-

**USAGE PROPERTIES**

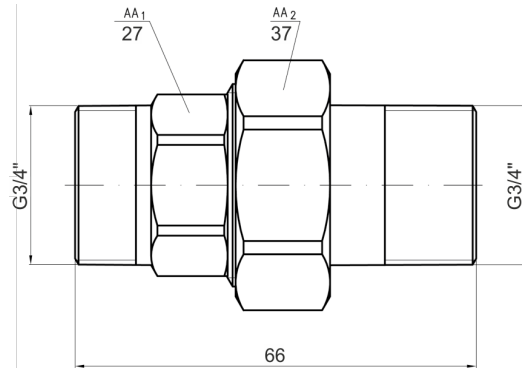
Conformity	TS 579	-
Max.Water Temp.	120°C	-
Max.Pressure	10 bar	-



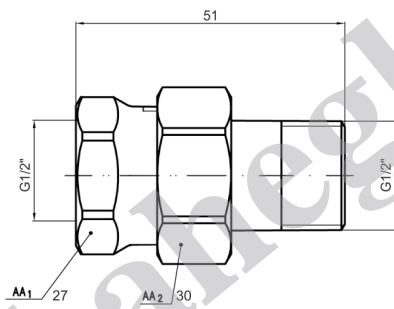
**0954200000**  
Radiator Union

[www.Laheghi.com](http://www.Laheghi.com)

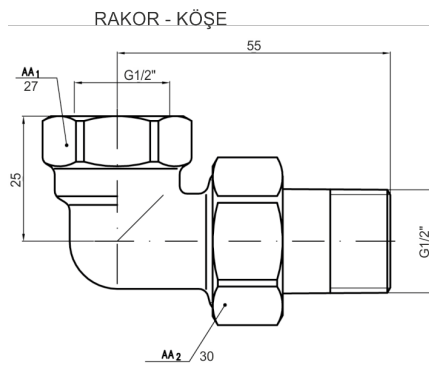
**Valves / Plumbing Equipment / Radiator Union**



**Model No: 0954200000**



**Model No: 0953200000**



**Model No: 0953100000**